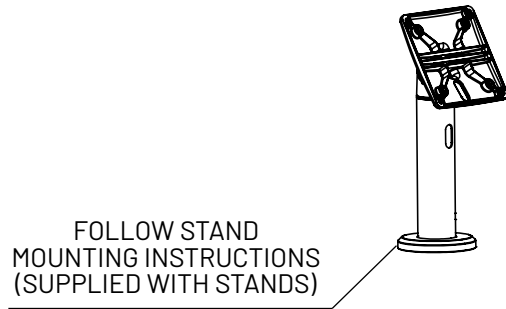
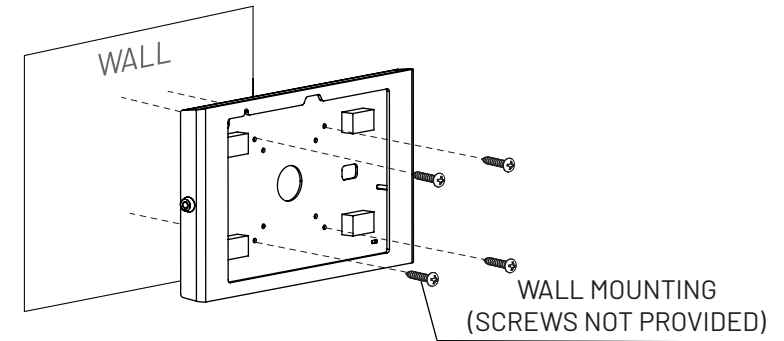


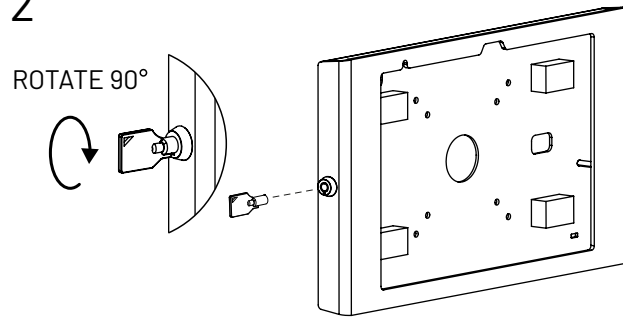
1



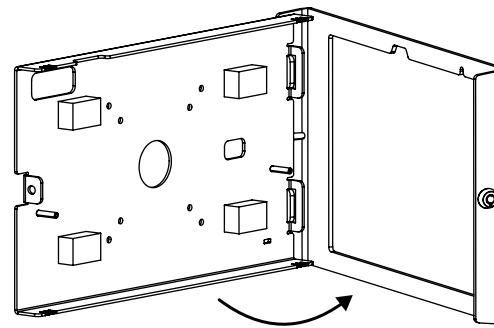
Or



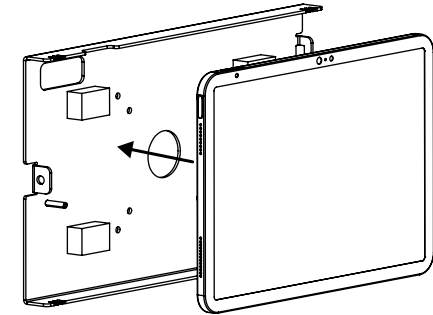
2



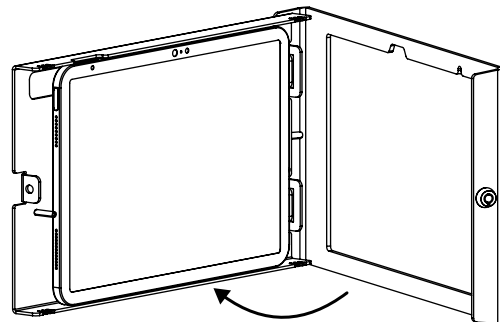
3



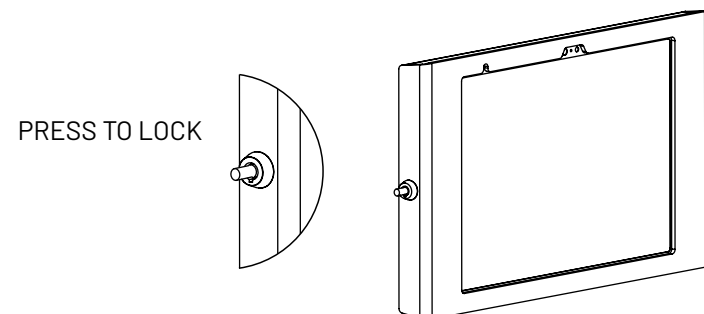
4



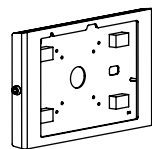
5



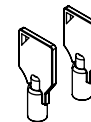
6



IN THE BOX



Apex Enclosure



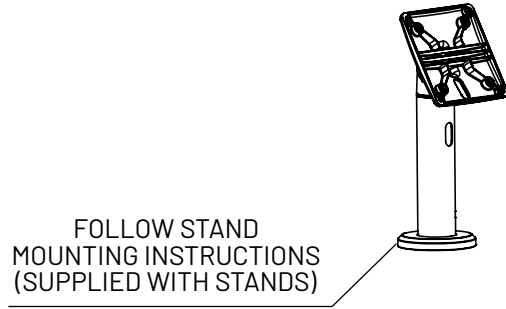
Keys

Swell Enclosure

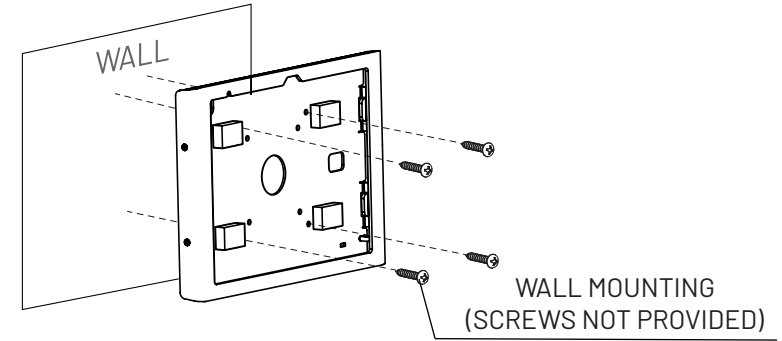
Assembly Instructions

COMPULOCKS

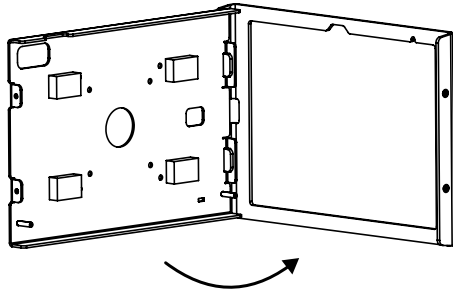
1



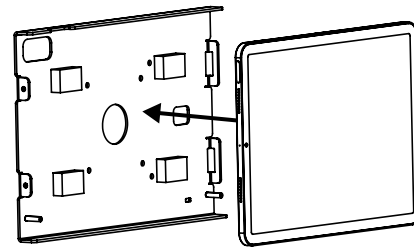
Or



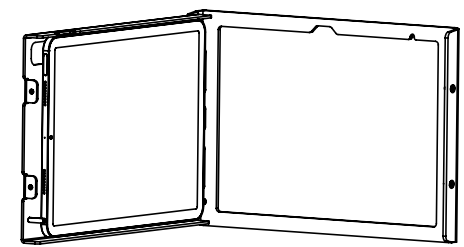
2



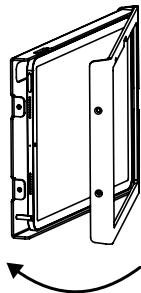
3



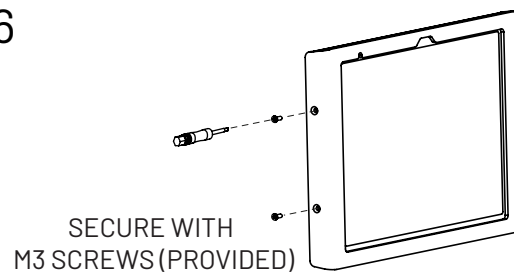
4



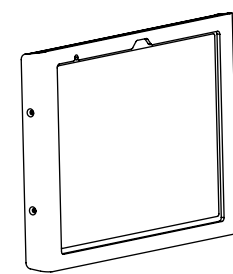
5



6



7



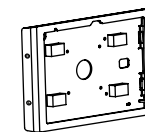
IN THE BOX



Torx Screwdriver



M3x10mm tamper proof screws



Swell enclosure

Space

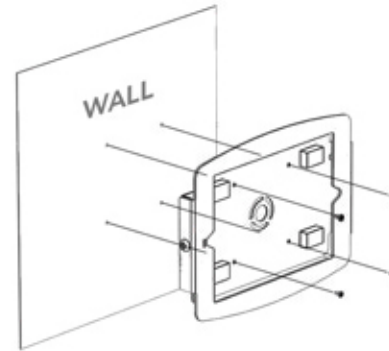
Assembly Instructions

1

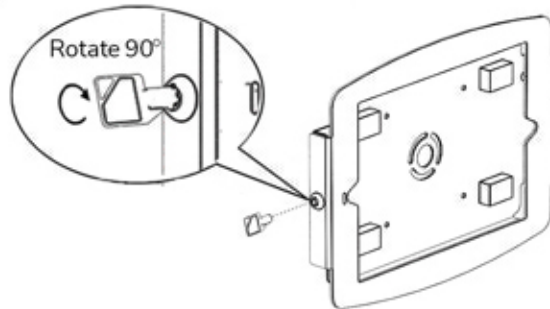


FOLLOW STAND
MOUNTING INSTRUCTIONS

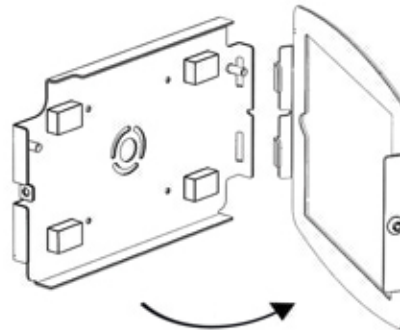
or



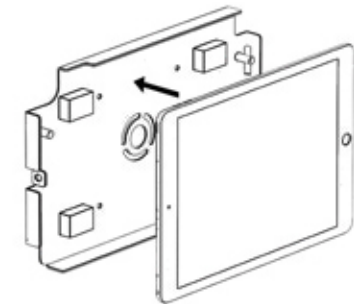
2



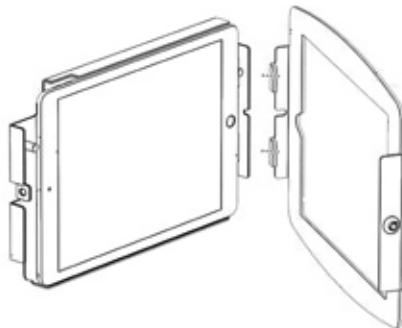
3



4



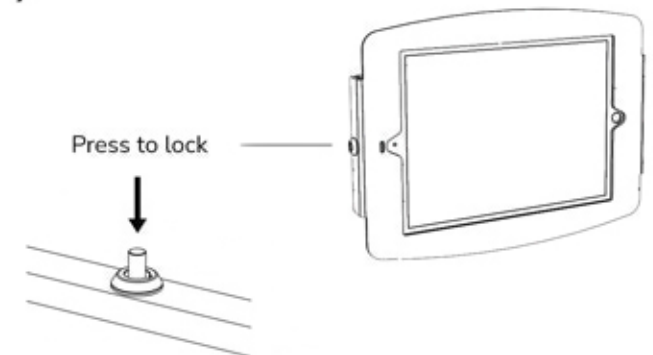
5



6



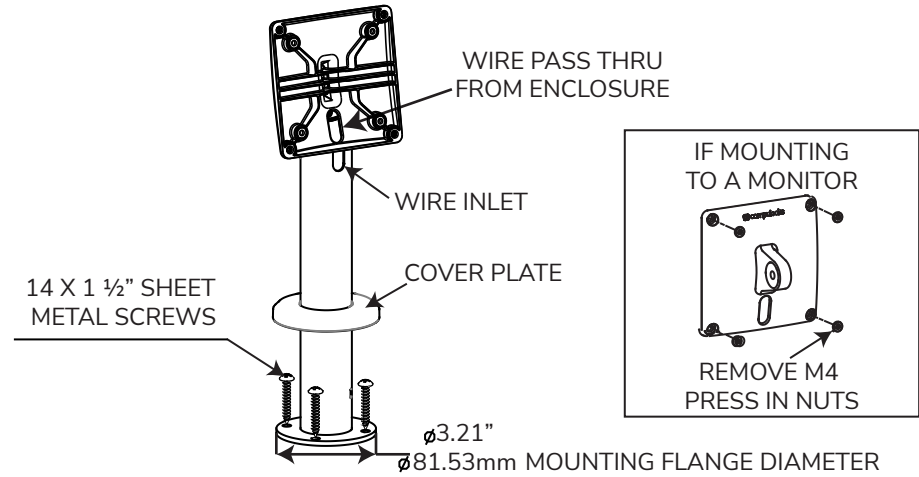
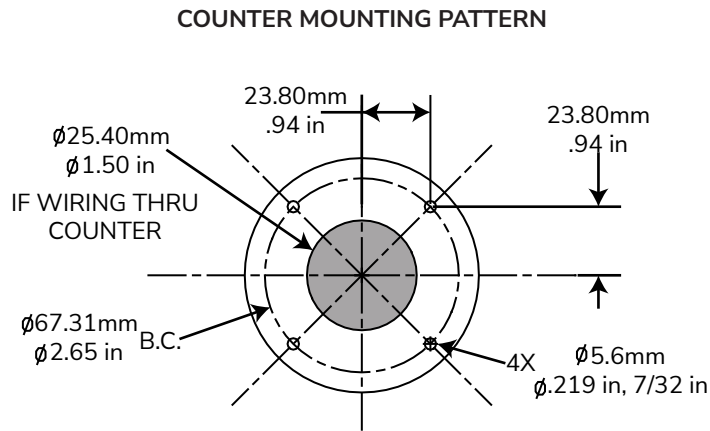
7



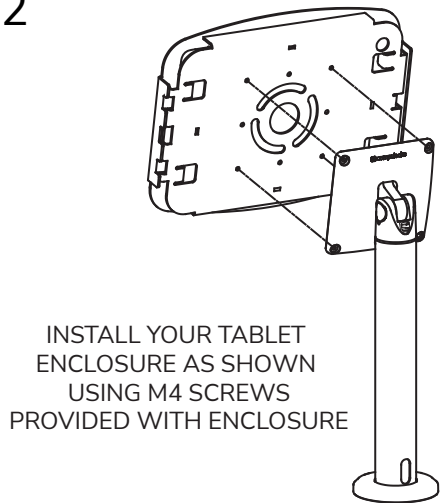
Assembly Instructions

Installation On Counter Top

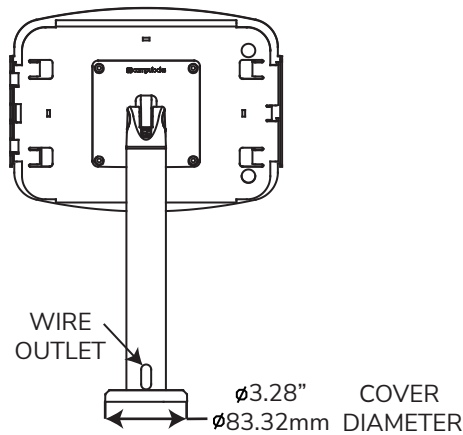
1



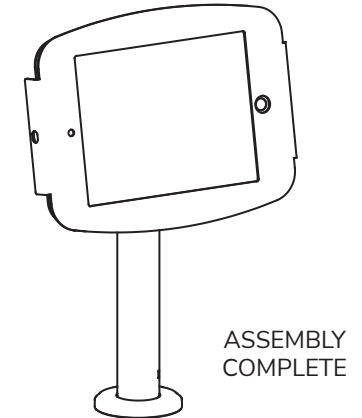
2



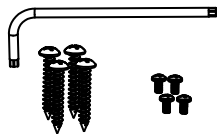
3



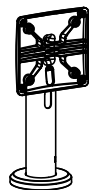
4



IN THE BOX



Hardware Kit



Fixed Pole Stand

ACCESSORIES



Adhesive Base



Single Add On Bracket

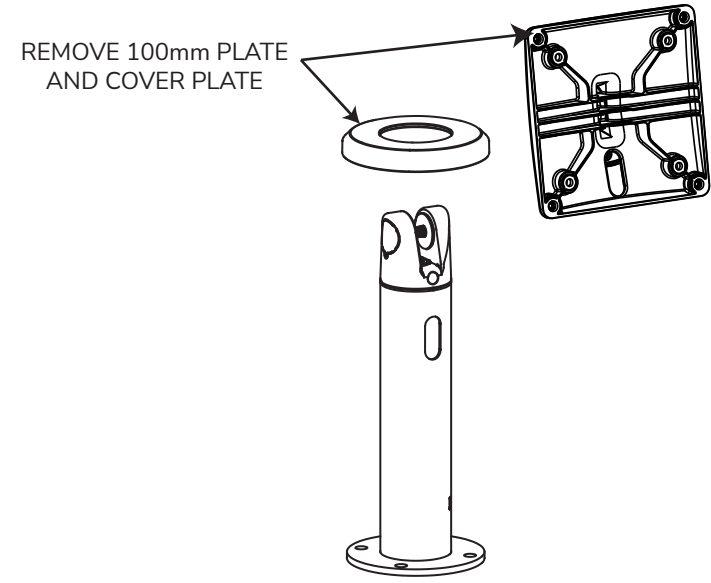
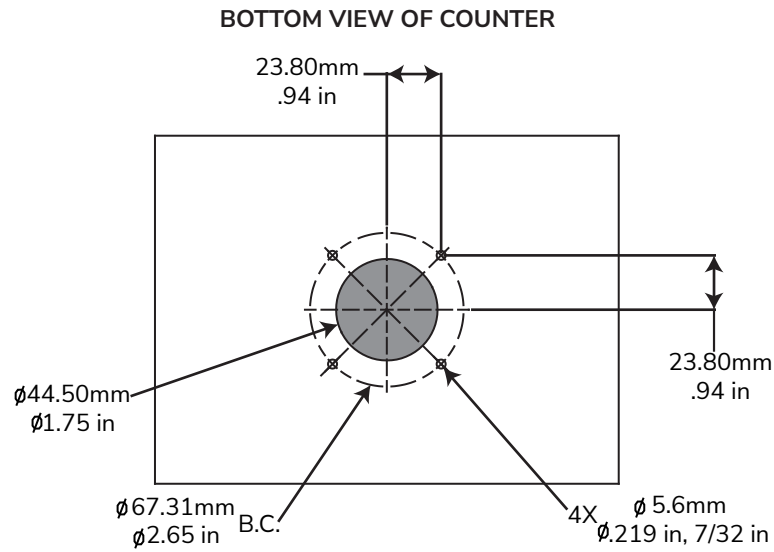


Free Standing Base

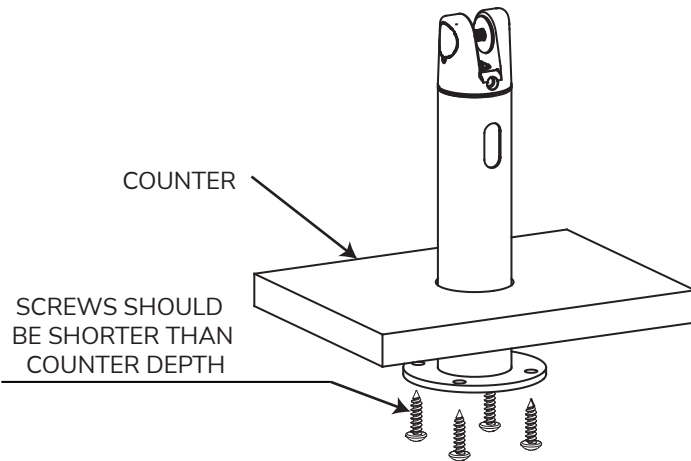
Assembly Instructions

Installation Below Counter

1



2



3

